

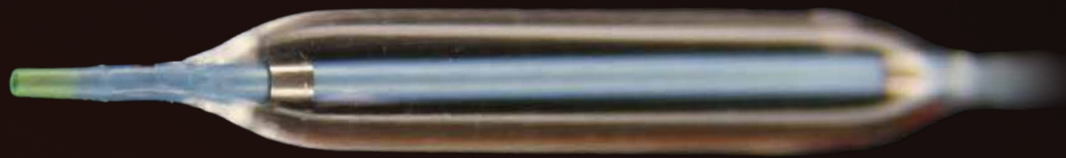
SIMPASS PLUS

SEMI-COMPLIANT

RX PTCA Balloon Dilatation Catheter

- *Unique Crossability & Re-Crossability*

- *Low-Profile & Flexible Balloon*



- *Advanced Pushability*

- *Wide Range of Size Options*

AVAILABLE IN

1.25–6.0mm

W I D E

10–40mm

L O N G

OPTIONS

SIMPASS PLUS

SEMI-COMPLIANT

RX PTCA Balloon Dilatation Catheter

- Unique lesion crossability and re-crossability with *low-profile & flexible* balloon
- Hydrophilic coating from tip to RX port for comfortable navigation at each anatomy
- Tapered tip for great performance
- Lubricous GW lumen for *enhanced compatibility* with guidewires
- Outstanding pushability and kink resistance performance by advanced hypotube design
- Wide size matrix to cover *all needs* for PTCA procedure



COMPLIANCE CHART

Pressure		Diameter (mm)													
kPa	atm	1.25	1.50	2.00	2.25	2.50	2.75	3.00	3.25	3.50	4.00	4.50	5.00	6.00	
101	1	1.01	1.31	1.82	1.90	2.14	2.36	2.59	2.84	3.05	3.49	3.69	4.49	5.25	
202	2	1.02	1.31	1.82	1.90	2.14	2.36	2.59	2.84	3.05	3.49	3.92	4.50	5.27	
304	3	1.03	1.32	1.82	1.93	2.17	2.40	2.65	2.89	3.11	3.55	4.06	4.61	5.41	
405	4	1.04	1.34	1.84	1.97	2.22	2.46	2.71	2.96	3.17	3.62	4.18	4.70	5.54	
507	5	1.07	1.37	1.87	2.03	2.29	2.53	2.78	3.04	3.24	3.70	4.28	4.79	5.65	
608	6	1.09	1.40	1.91	2.09	2.35	2.60	2.84	3.11	3.32	3.78	4.36	4.87	5.76	
709	7	1.12	1.44	1.94	2.17	2.41	2.66	2.90	3.17	3.39	3.86	4.43	4.95	5.86	
811	8*	1.15	1.47	1.98	2.23	2.47	2.71	2.95	3.22	3.46	3.93	4.48	5.01	5.94	
912	9	1.19	1.50	2.00	2.28	2.50	2.75	2.99	3.26	3.50	3.98	4.53	5.07	6.02	
1013	10	1.22	1.53	2.03	2.32	2.53	2.79	3.03	3.29	3.54	4.03	4.56	5.11	6.08	
1115	11	1.24	1.56	2.05	2.36	2.56	2.82	3.06	3.32	3.58	4.07	4.60	5.16	6.14	
1216	12	1.27	1.58	2.08	2.39	2.59	2.85	3.09	3.34	3.61	4.10	4.62	5.20	6.20	
1317	13	1.28	1.60	2.10	2.43	2.62	2.88	3.12	3.37	3.64	4.13	4.65	5.24	6.25	
1419	14	1.30	1.62	2.13	2.46	2.65	2.91	3.14	3.39	3.67	4.17	4.67	5.28	6.30	
1520	15	1.32	1.64	2.16	2.50	2.67	2.94	3.17	3.42	3.81	4.20	4.69	5.32	6.36	
1621	16**	1.34	1.65	2.19	2.53	2.70	2.97	3.20	3.45	3.73	4.23	4.71	5.37	6.41	
1723	17	1.36	1.67	2.22	2.57	2.73	3.00	3.23	3.49	3.76	4.27	4.73	5.42	6.48	
1824	18	1.38	1.68	2.26	2.61	2.76	3.04	3.26	3.54	3.79	4.31	4.75	5.48	6.54	
1925	19	1.39	1.70	2.30	2.65	2.79	3.08	3.30	3.59	3.82	4.35	4.78	5.53	6.61	
2027	20	1.41	1.72	2.35	2.69	2.83	3.13	3.34	3.64	3.86	4.40	4.80	5.59	6.69	

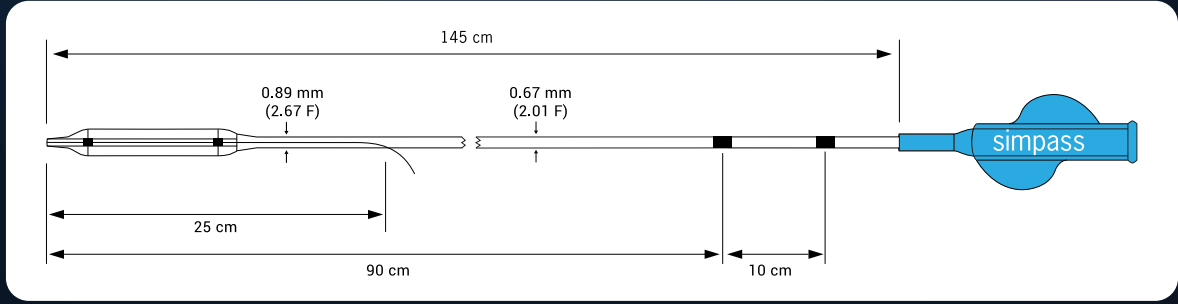
* Nominal Pressure

** Rated Burst Pressure. Do Not Exceed.

ORDERING INFORMATION

		Balloon Length (mm)													
		10	12	15	18	20	22	24	25	27	30	32	35	40	42
Balloon Diameter (mm)	1.25*	PS12510-T		PS12515-T		PS12520-T									
	1.50*	PS15010 PS15010-T	PS15012	PS15015 PS15015-T	PS15018	PS15020 PS15020-T	PS15022								
	2.00*	PS20010 PS20010-T	PS20012	PS20015 PS20015-T	PS20018	PS20020 PS20020-T	PS20022	PS20024	PS20025	PS20027	PS20030		PS20035	PS20040	PS20042
	2.25	PS22510	PS22512	PS22515	PS22518	PS22520	PS22522	PS22524	PS22525	PS22527	PS22530		PS22535	PS22540	PS22542
	2.50	PS25010	PS25012	PS25015	PS25018	PS25020	PS25022	PS25024	PS25025	PS25027	PS25030	PS25032	PS25035	PS25040	PS25042
	2.75	PS27510	PS27512	PS27515	PS27518	PS27520	PS27522	PS27524	PS27525	PS27527	PS27530	PS27532	PS27535	PS27540	PS27542
	3.00	PS30010	PS30012	PS30015	PS30018	PS30020	PS30022	PS30024	PS30025	PS30027	PS30030	PS30032	PS30035	PS30040	PS30042
	3.25	PS32510	PS32512	PS32515	PS32518	PS32520	PS32522	PS32524	PS32525	PS32527	PS32530	PS32532	PS32535	PS32540	PS32542
	3.50	PS35010	PS35012	PS35015	PS35018	PS35020	PS35022	PS35024	PS35025	PS35027	PS35030	PS35032	PS35035	PS35040	PS35042
	4.00	PS40010	PS40012	PS40015	PS40018	PS40020	PS40022	PS40024	PS40025	PS40027	PS40030	PS40032	PS40035	PS40040	PS40042
	4.50	PS45010		PS45015	PS45018	PS45020	PS45022	PS45024	PS45025	PS45027	PS45030	PS45032	PS45035	PS45040	PS45042
	5.00	PS50010		PS50015		PS50020									
	6.00	PS60010		PS60015		PS60020									

* Single Marker Band is available for 1.5 mm & 2.0 mm diameters.



TECHNICAL SPECIFICATIONS

Catheter Type	Rapid Exchange (RX)
Guidewire Compatibility	.014"
Usable Catheter Length	145 cm
Proximal Shaft	2.01F (Ø 0.67 mm)
Distal Shaft	2.67F (Ø 0.89 mm)
Balloon Material	Nylon
Nominal Pressure (NP)	8 atm
Rated Burst Pressure (RBP)	16 atm
Coating	Hydrophilic (distal tip to guidewire exit port)
Balloon Folds	3
Guiding Catheter Compatibility	5F
Balloon Diameters (mm)	1.25 / 1.5 / 2 / 2.25 / 2.5 / 2.75 / 3 / 3.25 / 3.5 / 4 / 4.5 / 5 / 6
Balloon Lengths (mm)	10 / 12 / 15 / 18 / 20 / 22 / 24 / 25 / 27 / 30 / 32 / 35 / 40 / 42