

Rota-Trach™

Disposable Standard Tracheostomy Tube

530 Series (Cuffed)

REF	Tube ID (mm)	Tube OD (mm)	TL (mm)	Cuff Resting Diameter (Ø,mm)
5300600	6.0	8.3	55	21
5300650	6.5	9.0	60	22
5300700	7.0	9.6	65	23
5300750	7.5	10.3	70	24
5300800	8.0	11.0	76	26
5300850	8.5	11.6	82	28
5300900	9.0	12.3	89	30
5301000	10.0	13.3	97	33

531 Series (Cuffed+Fenestrated)

REF	Tube ID (mm)	Tube OD (mm)	TL (mm)	Cuff Resting Diameter (Ø,mm)
5310600	6.0	8.3	55	21
5310650	6.5	9.0	60	22
5310700	7.0	9.6	65	23
5310750	7.5	10.3	70	24
5310800	8.0	11.0	76	26
5310850	8.5	11.6	82	28
5310900	9.0	12.3	89	30
5311000	10.0	13.3	97	33

540 Series (Uncuffed)

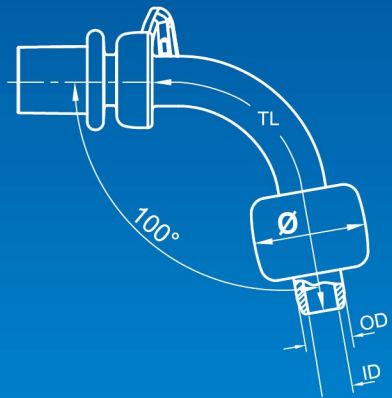
REF	Tube ID (mm)	Tube OD (mm)	TL (mm)
5400600	6.0	8.3	55
5400650	6.5	9.0	60
5400700	7.0	9.6	65
5400750	7.5	10.3	70
5400800	8.0	11.0	76
5400850	8.5	11.6	82
5400900	9.0	12.3	89
5401000	10.0	13.3	97

541 Series (Uncuffed+Fenestrated)

REF	Tube ID (mm)	Tube OD (mm)	TL (mm)
5410600	6.0	8.3	55
5410650	6.5	9.0	60
5410700	7.0	9.6	65
5410750	7.5	10.3	70
5410800	8.0	11.0	76
5410850	8.5	11.6	82
5410900	9.0	12.3	89
5411000	10.0	13.3	97

Standard Packaging:

- Each package is supplied with obturator, disconnect wedge and neck strap.
- Packaging: 10 pcs / box



**Better Design,
Better Patient Comfort**



Vitaltec Vitaltec Corporation

No.12, Lane 4-30, Chyuan-Zhou Rd. Hou-Li
Dist.42142 Taichung City Taiwan.
TEL: +886-4-2558-0886
FAX: +886-4-2556-8632
Website: www.vitaltec.com.tw
E-Mail: sales@vitaltec.com.tw



Made in Taiwan

Distributor:



A commitment for life



Rota-Trach™ Disposable Standard Tracheostomy Tube

A Patient-friendly Device

Rota-Trach™ Tracheostomy Tube not only provides basic necessities but is a "Patient Friendly" device. The connector features an absorption design. This feature allows the connector to absorb pressure of any movement on it and thus reduce patient discomfort.



- ⌘ Valve with cap
- ⌘ Thermo sensitive PVC with DEHP free
- ⌘ Metal free valve for MRI test safety
- ⌘ Pilot balloon with size indicator
- ⌘ Low pressure cuff
- ⌘ Radiopaque inflation tube for radiological purposes



MRI test safety

Rota-Trach™ Tracheostomy tube ranges are completely free of metal, so remove of the tube prior to MRI examination is not necessary.



Disconnect Wedge

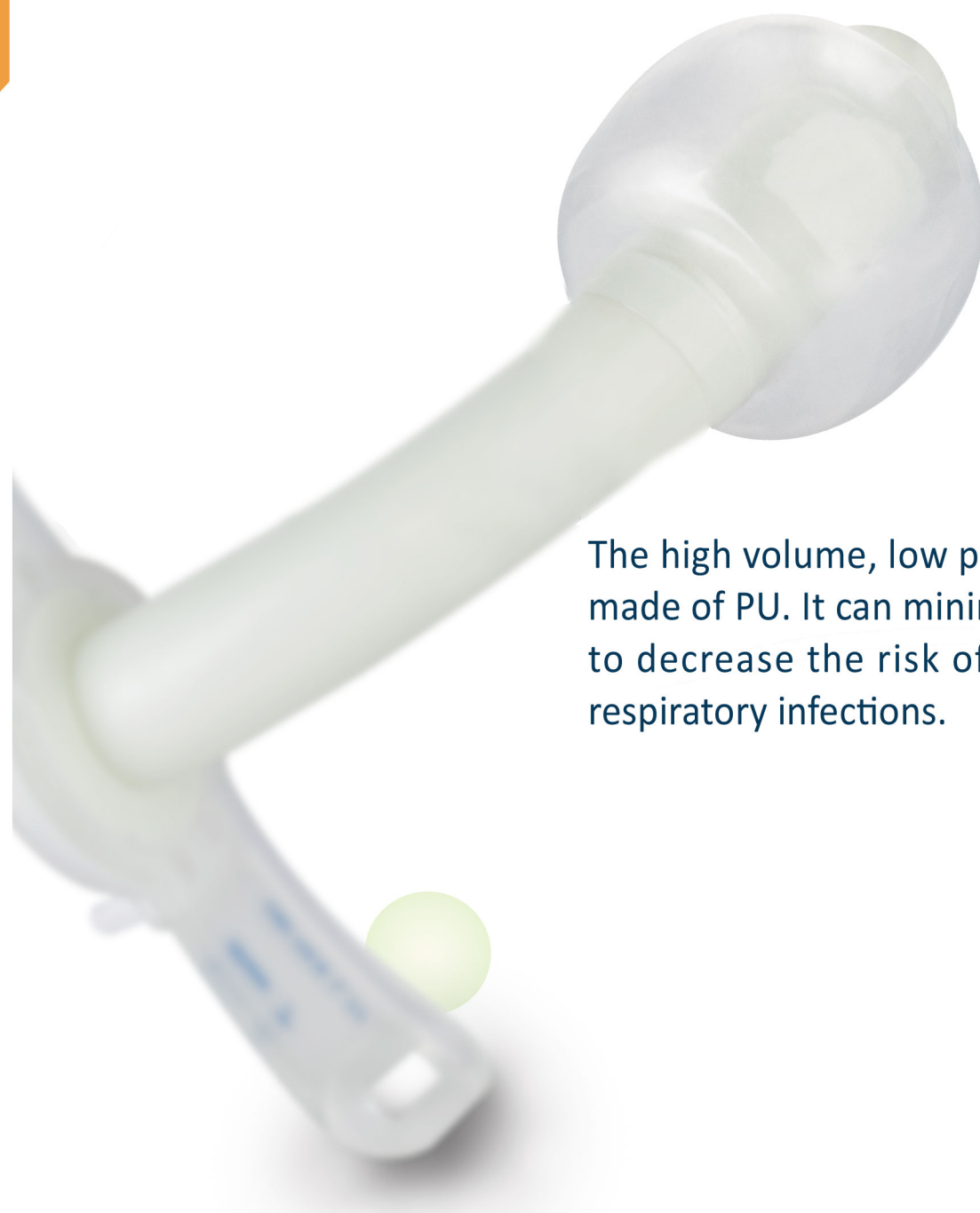
A convenient tool which helps to disconnect attachments on the inner cannula 15mm connector. The clip on the wedge allows attachment to patients clothing. To avoid cross infection the wedge is included with each Rota-Trach™.





Ultrathin Cuff

Rota-Trach Inner Cannula Tracheostomy tubes are designed to provide effective ventilation and allow users to clean or replace the inner cannula easily. The tubes are made of medical grade polyurethane (PU), which is friendly for patient's tissue. Integrated radiopaque element of the tube ensures X-ray detectability.



The high volume, low pressure ultrathin cuff is made of PU. It can minimize channel formation to decrease the risk of micro-aspiration and respiratory infections.

Rota-Trach™

Inner Cannula Tracheostomy Tube

**Better Design,
Better Patient Comfort**



A Patient-Friendly Device

Rota-Trach Tracheostomy Tube not only provides basic necessities but is a "Patient Friendly" device. The design of the connector can reduce patient discomfort by absorbing the pressure of movements on the Device during use.

Quick & Secure

This patented push-click secure device allows caregiver to push in the inner cannula easily for replacement and cleaning.



Better Design, Better Patient Comfort

1 Disconnect Wedge

It helps with detaching the connection between the ventilator and the 15mm connector of the tube. The clip on the wedge can attach to patients clothing. The wedge is included with each pack.



2 Metal Free Valve for MRI Safety

No needs to remove the tube prior to MRI examination.



3 Fenestrated Tube

Multiple fenestrations for the 551 and 561 series.

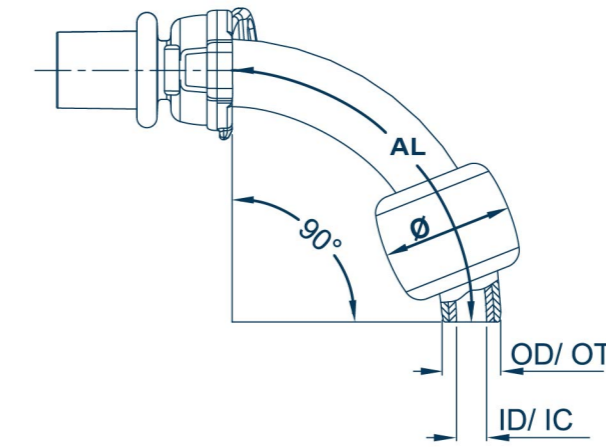
4 Clear Color Identification for the Inner Cannula

The 15mm connector of the fenestrated inner cannula is deep blue while the one without fenestration is light blue.



5 Inner Cannula Cap

Equipped with the fenestrated series



550 Series (Cuffed)

REF	I.D. mm	O.D. mm	AL mm	CUFF Ø mm
5500500	5.0	8.6	66	16
5500600	6.0	9.2	72	20
5500700	7.0	10.6	77	23
5500800	8.0	11.7	79	26
5500900	9.0	12.8	81	30
5501000	10.0	13.8	83	33

551 Series (Cuffed+Fenestrated)

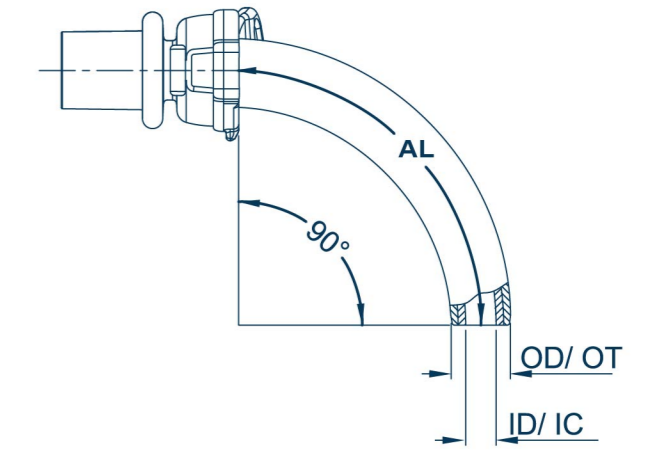
REF	I.D. mm	O.D. mm	AL mm	CUFF Ø mm
5510500	5.0	8.6	66	16
5510600	6.0	9.2	72	20
5510700	7.0	10.6	77	23
5510800	8.0	11.7	79	26
5510900	9.0	12.8	81	30
5511000	10.0	13.8	83	33

1. Standard Package:

- Each package has accessories of a disconnect wedge, an identification card, and neck strap.
- Inner cannula cap for the 15mm connector of the fenestrated inner cannula.
- Packaging: 10 pcs / box

2. Color identification:

Printing on the neck plate is green for fenestrated series and blue for unfenestrated series.



560 Series (Uncuff)

REF	I.D. mm	O.D. mm	AL mm
5600500	5.0	8.6	66
5600600	6.0	9.2	72
5600700	7.0	10.6	77
5600800	8.0	11.7	79
5600900	9.0	12.8	81
5601000	10.0	13.8	83

561 Series (Uncuff+Fenestrated)

REF	I.D. mm	O.D. mm	AL mm
5610500	5.0	8.6	66
5610600	6.0	9.2	72
5610700	7.0	10.6	77
5610800	8.0	11.7	79
5610900	9.0	12.8	81
5611000	10.0	13.8	83



Vitaltec Corporation

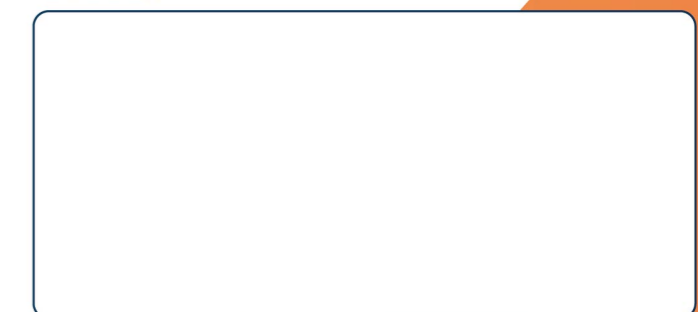
No. 12, Lane 4-30, Chyuan-Zhou Rd., Hou-li Dist., Taichung City 42142, Taiwan

TEL: +886-4-2558-0886
Website: www.vitaltec.com.tw
E-Mail: sales@vitaltec.com.tw



Made in Taiwan

Distributor:



Rota-TrachTM

Pediatric Tracheostomy Tube

Better Design, Better Patient Comfort

Extending Rota-TrachTM family products to a step further, Rota-TrachTM Pediatric Tracheostomy Tube is developed especially for infants and children. Understanding the uniqueness and delicacy of new born, this product brings the best solution for young patients.



A commitment for life

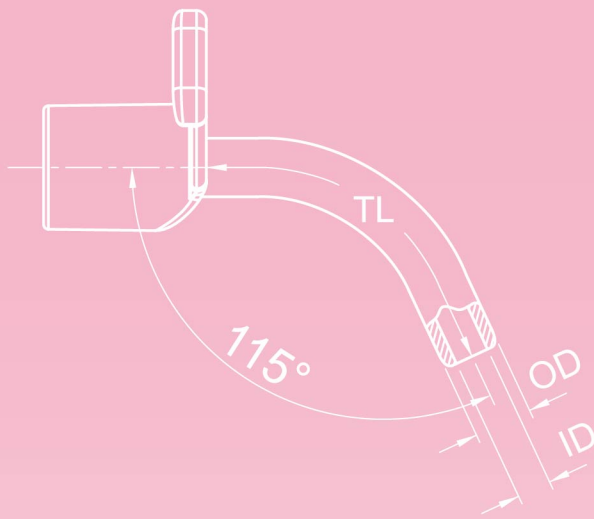


Rota-Trach™ Pediatric Tracheostomy Tube

VT540 Series

REF	Tube ID (mm)	Tube OD (mm)	TL (mm)
5400300	3.0	4.6	39
5400400	4.0	6.0	41
5400500	5.0	7.2	44

- ❖ Thermo sensitive PVC with non-phthalate material
- ❖ Minimize dead space
- ❖ Radiopaque tube
- ❖ Obturator
- ❖ Neck Strap



Standard Packaging:

- Each package is supplied with obturator and neck strap.
- Packaging: 10 pcs / box


ISO
 MEDICAL DEVICE 13485


Vitaltec Corporation

No.12, Lane 4-30, Chyuan-Zhou Rd. Hou-Li
Dist.42142 Taichung City Taiwan.

TEL: +886-4-2558-0886

FAX: +886-4-2556-8632

Website: www.vitaltec.com.tw

E-Mail: sales@vitaltec.com.tw



Made in Taiwan

Distributor: