



Rota-Trach™

Inner Cannula Tracheostomy Tube

*Better Design,
Better Patient Comfort*

Ultra Thin Cuff

Rota-Trach Inner Cannula Tracheostomy tubes are designed to provide effective ventilation and allow users to clean or replace the inner cannula easily. The tubes are made of medical grade polyurethane (PU), which is friendly for patient's tissue. Integrated radiopaque element of the tube ensures X-ray detectability.



The high volume, low pressure ultrathin cuff is made of PU. It can minimize channel formation to decrease the risk of micro-aspiration and respiratory infections.

A Patient-Friendly Device

Rota-Trach Tracheostomy Tube not only provides basic necessities but is a "Patient Friendly" device. The design of the connector can reduce patient discomfort by absorbing the pressure of movements on the Device during use.



Quick & Secure

This patented push-click secure device allows caregiver to push in the inner cannula easily for replacement and cleaning.



Better Design, Better Patient Comfort

1 Disconnect Wedge

It helps with detaching the connection between the ventilator and the 15mm connector of the tube. The clip on the wedge can attach to patients clothing. The wedge is included with each pack.



2 Metal Free Valve for MRI Safety

No needs to remove the tube prior to MRI examination.



3 Fenestrated Tube

Multiple fenestrations for the 551 and 561 series.



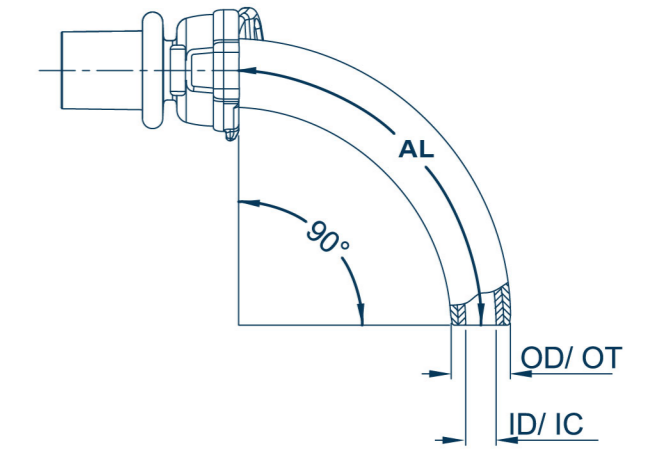
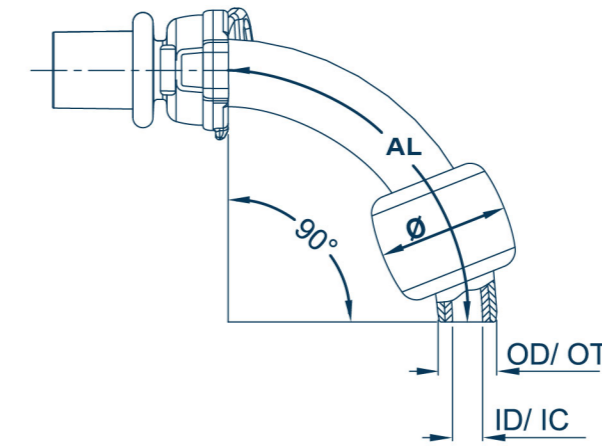
4 Clear Color Identification for the Inner Cannula

The 15mm connector of the fenestrated inner cannula is deep blue while the one without fenestration is light blue.



5 Inner Cannula Cap

Equipped with the fenestrated series



550 Series (Cuffed)

REF	I.D. mm	O.D. mm	AL mm	CUFF Ø mm
5500500	5.0	8.6	66	16
5500600	6.0	9.2	72	20
5500700	7.0	10.6	77	23
5500800	8.0	11.7	79	26
5500900	9.0	12.8	81	30
5501000	10.0	13.8	83	33

551 Series (Cuffed+Fenestrated)

REF	I.D. mm	O.D. mm	AL mm	CUFF Ø mm
5510500	5.0	8.6	66	16
5510600	6.0	9.2	72	20
5510700	7.0	10.6	77	23
5510800	8.0	11.7	79	26
5510900	9.0	12.8	81	30
5511000	10.0	13.8	83	33

560 Series (Uncuff)

REF	I.D. mm	O.D. mm	AL mm
5600500	5.0	8.6	66
5600600	6.0	9.2	72
5600700	7.0	10.6	77
5600800	8.0	11.7	79
5600900	9.0	12.8	81
5601000	10.0	13.8	83

561 Series (Uncuff+Fenestrated)

REF	I.D. mm	O.D. mm	AL mm
5610500	5.0	8.6	66
5610600	6.0	9.2	72
5610700	7.0	10.6	77
5610800	8.0	11.7	79
5610900	9.0	12.8	81
5611000	10.0	13.8	83

1. Standard Package:

- Each package has accessories of a disconnect wedge, an identification card, and neck strap.
- Inner cannula cap for the 15mm connector of the fenestrated inner cannula.
- Packaging: 10 pcs / box

2. Color identification:

Printing on the neck plate is green for fenestrated series and blue for unfenestrated series.



Vitaltec Corporation

No. 12, Lane 4-30, Chyuan-Zhou Rd., Hou-li Dist., Taichung City 42142, Taiwan

TEL: +886-4-2558-0886
Website: www.vitaltec.com.tw
E-Mail: sales@vitaltec.com.tw

Made in Taiwan

Distributor:

